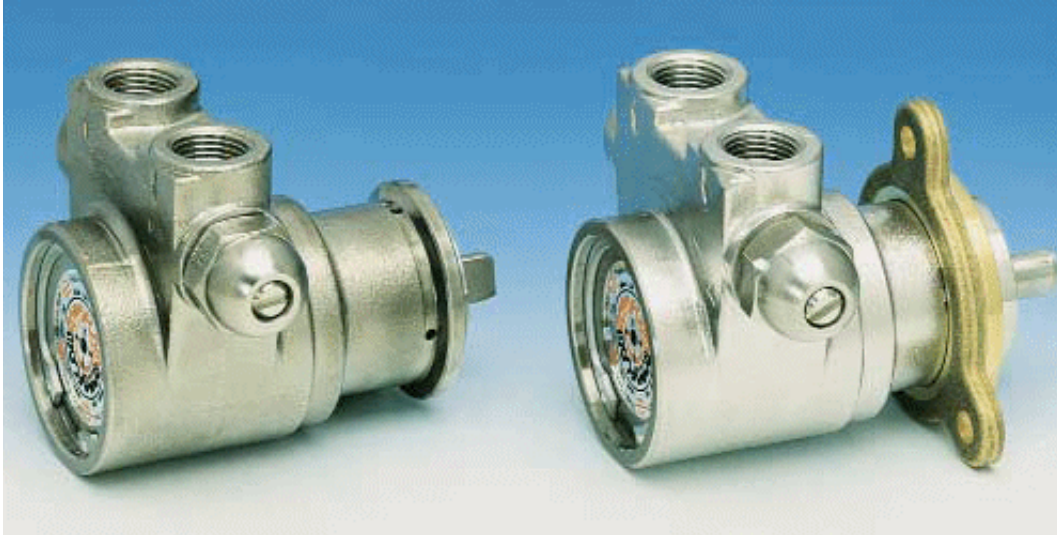


## Fluid-o-Tech stainless steel rotary vane pumps



The rotary vane pumps, manufactured by Fluid-o-Tech in Italy and sold worldwide under the trademark Rotoflow, are volumetric pumps designed for pumping water and aggressive liquids with low flow at high pressure.

### Main Applications

- + Soda circulation in post-mix drink dispensers
- + Cooling systems
- + Reverse osmosis
- + Ultra-filtration
- + Booster systems

### Available upon request

- + Viton/EPDM seals (suffix - V/E)
- + NSF listed pumps for potable water (PA series)
- + WRAS approved pumps (PW series)

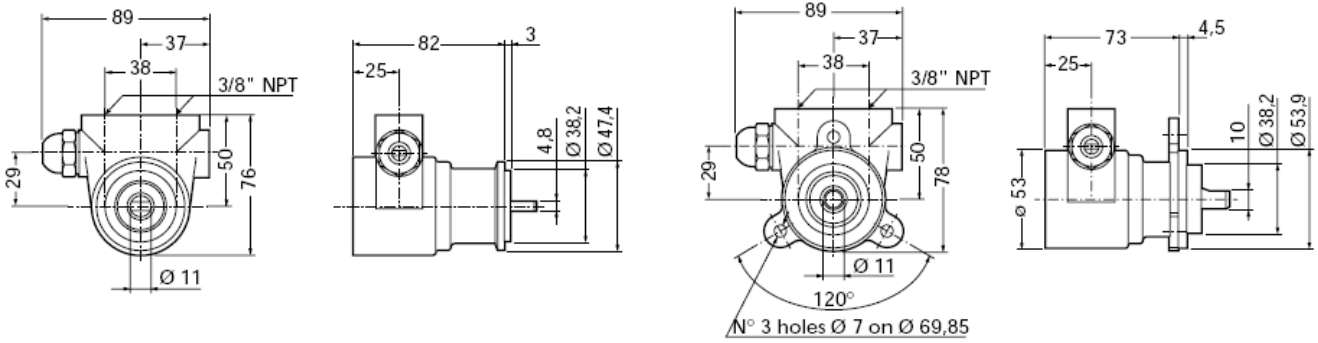
### Technical Specification

The housing and the rotor are in stainless steel AISI 303, while the pumping chamber and the vanes are in graphitic carbon.

Inlet and outlet ports are 3/8" NPT/GAS female threaded. A built-in adjustable by-pass to protect the pump and the system from unexpected pressure spikes is also available upon request.

The pump can be connected to direct coupling motors with a stainless steel clamp or to M71 and M80 UNELMEC or NEMA 56C frame motors with the Fluid-o-Tech coupling and adapter set.

Maximum operative temperature: 70°C (158°F).



## Performance Data

Model series:	071x	11x	151x	21x	251x	31x	350x	41x
Flow (l/h) at 2 bar	100	150	190	236	295	345	390	445
Flow (l/h) at 7 bar	89	139	179	225	284	334	379	434
Flow (l/h) at 14 bar	70	120	160	206	265	315	360	415
Figure	A-A	B-B	C-C	D-D	E-E	F-F	G-G	H-H

x in the series number above designates the clamp and flange options.

