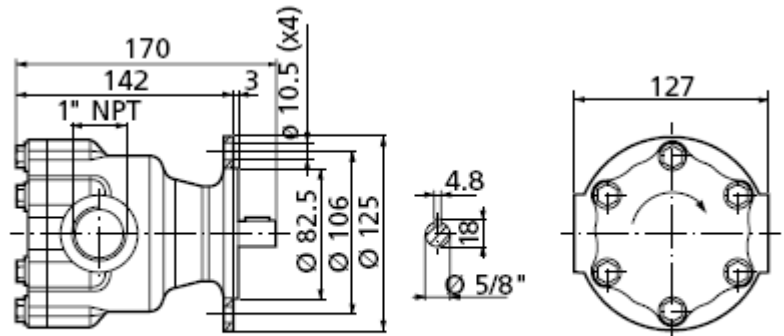
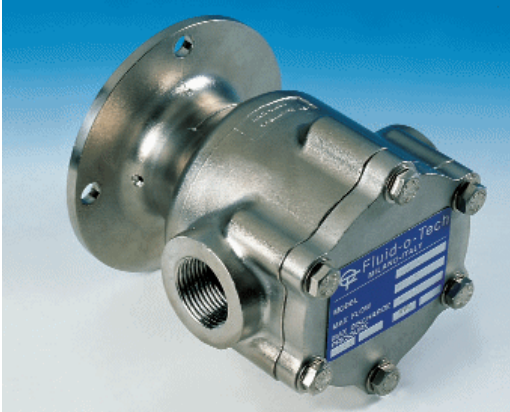


Fluid-o-Tech 4000 series rotary vane pumps



(1" GAS AVAILABLE UPON REQUEST)

The 4000 series rotary vane pumps, available in 7 different displacements, are the latest edition of Rotoflow high technology volumetric pumps.

The pump housing, the rotor and every metallic component are in AISI 303 stainless. AISI 316 is also available. The pumping chamber and the vanes are in high impact carbon graphite. The self-lubricating property of polished stainless steel and carbon graphite makes this pump well suited for water and water based solutions.

Inlet / outlet ports are 1" NPT female threaded (1" GAS available upon request). All models are available with NBR or Viton seals.

Main Applications

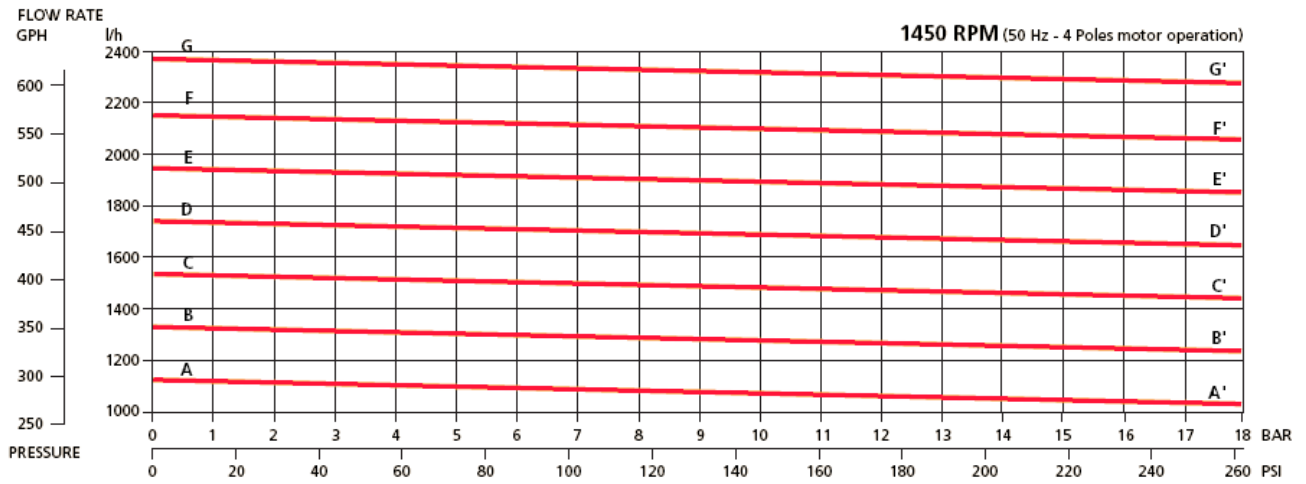
- + Reverse osmosis systems
- + Cooling systems
- + Car wash

Operating parameters

- + Max. motor speed: 1725 rpm
- + Max. temperature: 90°C (194°F)
- + Max. system pressure: 25 BAR (360 PSI)
(Safety valve recommended)

Performance Data

	2 bar	6 bar	10 bar	14 bar	18 bar	
Model	Flow (l/h)	Flow (l/h)	Flow (l/h)	Flow (l/h)	Flow (l/h)	Figure
PO4010	1114	1095	1076	1057	1038	A-A'
PO4020	1320	1301	1282	1263	1244	B-B'
PO4040	1526	1507	1488	1469	1450	C-C'
PO4060	1732	1713	1694	1675	1656	D-D'
PO4080	1938	1919	1900	1881	1862	E-E'
PO4100	2144	2125	2106	2087	2068	F-F'
PO4120	2350	2331	2312	2293	2274	G-G'



Note: Characteristics at constant motor speed with water at 20°C. Figures of flow are averages. Pump weight 5.3kg.

For applications involving other fluids, high temperatures or unusual processing conditions, please contact us.