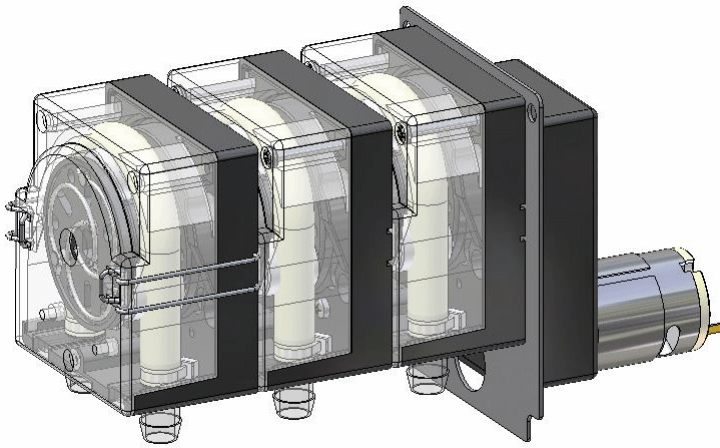


## Componenti 680-1-2 Series Peristaltic Pump



Peristaltic pumps are self-priming devices designed to deliver accurate and constant volumes of a vast range of liquids. They are compact, modular and have the fundamental characteristic of separating pumped liquids from all mechanical elements of the pump.

This modular series is manufactured to 680, 681 or 682 series specification and utilises a modular pump body in order to combine up to three pumps working simultaneously, each dispensing a different fluid.

### Main applications

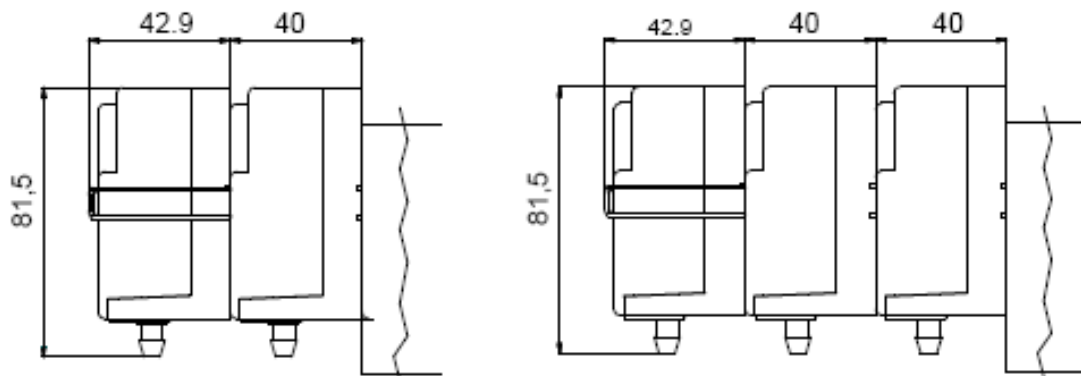
- + Food industry
- + Hot beverage machines and drink dispensers
- + Industrial equipment for dosing detergents etc.

### Main features

- + Easy assembly and tube replacement
- + Self-priming and run dry
- + Reversible flow (DC motor only)
- + Isolates pumped fluids from pump mechanics
- + Low maintenance
- + Various hose materials to suit different fluids
- + Accurate dosing
- + Dispense up to 3 fluids simultaneously

### Technical specification

- + Variable output rate from 0.6 l/min to 1.2 l/min.
- + Pump configurations from 2-3-6 rollers, fixed or sprung.
- + The manufacturing materials used do not contain hazardous substances as described in the EEC directive 2002/95/CE (ROHS).
- + The materials used for liquid contact are also suitable for other foods.



## Performance data

Medium output values ml/min (Pump with 3 spring rollers).

### 680 series DC

Ø Hose	25 rpm	50 rpm	83 rpm	116 rpm	135 rpm	160 rpm	200 rpm	300 rpm
4.8 x 8.0	50	120	185	255	300	350	440	690
6.4 x 9.6	70	160	250	350	410	480	600	980
7.5 x 10.7	90	210	305	430	500	590	740	1260

### 681 series - 117v AC

Ø Hose	27 rpm	50 rpm	83 rpm	116 rpm	135 rpm
4.8 x 8.0	70	130	220	290	340
6.4 x 9.6	100	190	310	460	540
7.5 x 10.7	130	220	400	600	700

### 681 series - 230v AC

Ø Hose	27 rpm	50 rpm	83 rpm	116 rpm	135 rpm	200 rpm	260 rpm
4.8 x 8.0	60	110	180	260	320	440	570
6.4 x 9.6	90	160	260	370	430	630	820
7.5 x 10.7	120	220	370	520	600	900	1160

### 682 series DC

Ø Hose	30 rpm	50 rpm	90 rpm	130 rpm	160 rpm	220 rpm
4.8 x 8.0	60	100	150	220	240	460
6.4 x 9.6	80	130	200	290	320	650
7.5 x 10.7	110	160	250	360	390	850

Other output test figures are available on request.